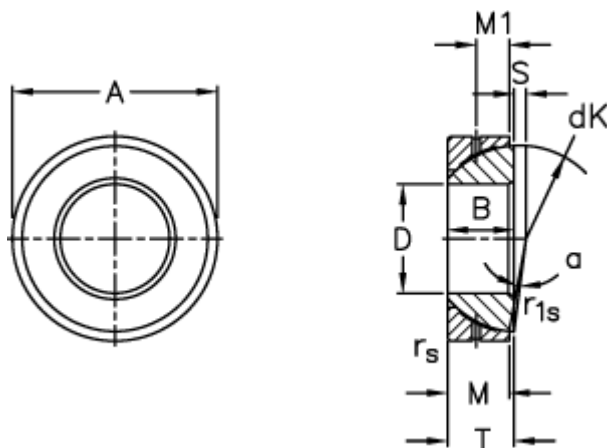


Article number: 03509160

Description: Fluro Rod end GE 160SX

Measures



| | | | |
|---------------------|----------------|---------------------|------------------|
| A | = 240 0 -0,030 | S | = 20 |
| B | = 51 | Static load C0 (kN) | = 4500 |
| D | = 160 0 -0,025 | T | = 51 +0,35 -0,70 |
| dK | = 225 | Tilt angle | = 1 |
| Dynamic load C (kN) | = 900 | Weight | = 9420 |
| M | = 49 | | |
| M1 | = 22 | | |
| rs, r1s min | = 3 | | |